

IMPORTANT NOTICE

TO ALL CUSTOMERS using POSI-PLUS model 500 AERIAL DEVICES

October 14, 2020,

An accident occurred in Weyburn (Saskatchewan) last October 8, 2020, where the bucket of a Posi+ model 500 tilted unexpectedly and the two linemen fell to the ground. Because of the ongoing investigation, we do not have access to the parts that caused the failure; so we cannot comment further at this time. However, it is very important that the inspection and maintenance schedule are being followed as per the Posi+ maintenance manuals.

At this point, we ask all Posi-Plus customers of model 500 to inspect specifically the leveling system at the knuckle (delta).

Specifically, the knuckle (delta) chain tensioner assembly must be inspected to detect any damaged or worn-out parts. Any damaged or worn-out parts must be replaced.

1. Replace binder (500-7019-004) if either:
 - a. The chain outer plates rub against the inner circumference of the chain binder (Fig. 1)
 - b. The surface on which the chain rollers are rolling is not smooth or shows cracks.
2. Use a torque wrench at 90% (28 ft-lb) of the 31 ft-lb recommended torque on the bolt holding the chain binder in place. If the bolt is found loose, replace with a new one (100-006-293). Use Loctite #262 as per the leveling system schematic in the parts manual (Fig.2)

If you have any question, contact technical support using techsupport@posi-plus.com or call (819) 758-5717.



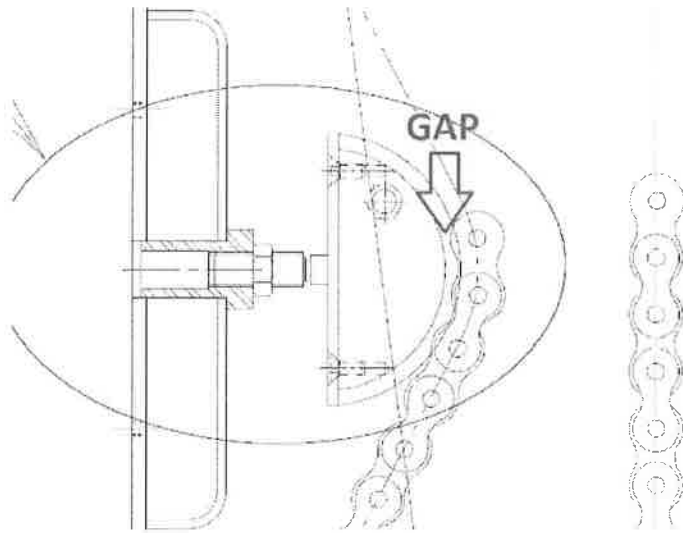


Figure 1

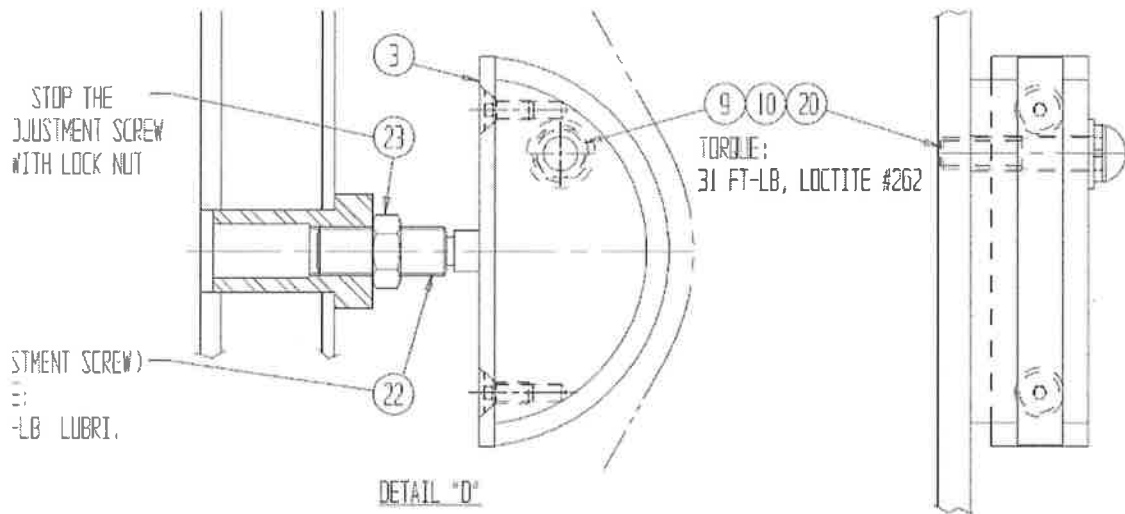


Figure 2

